

Procedural Revision

2b

Year 7

Q1 Number Facts

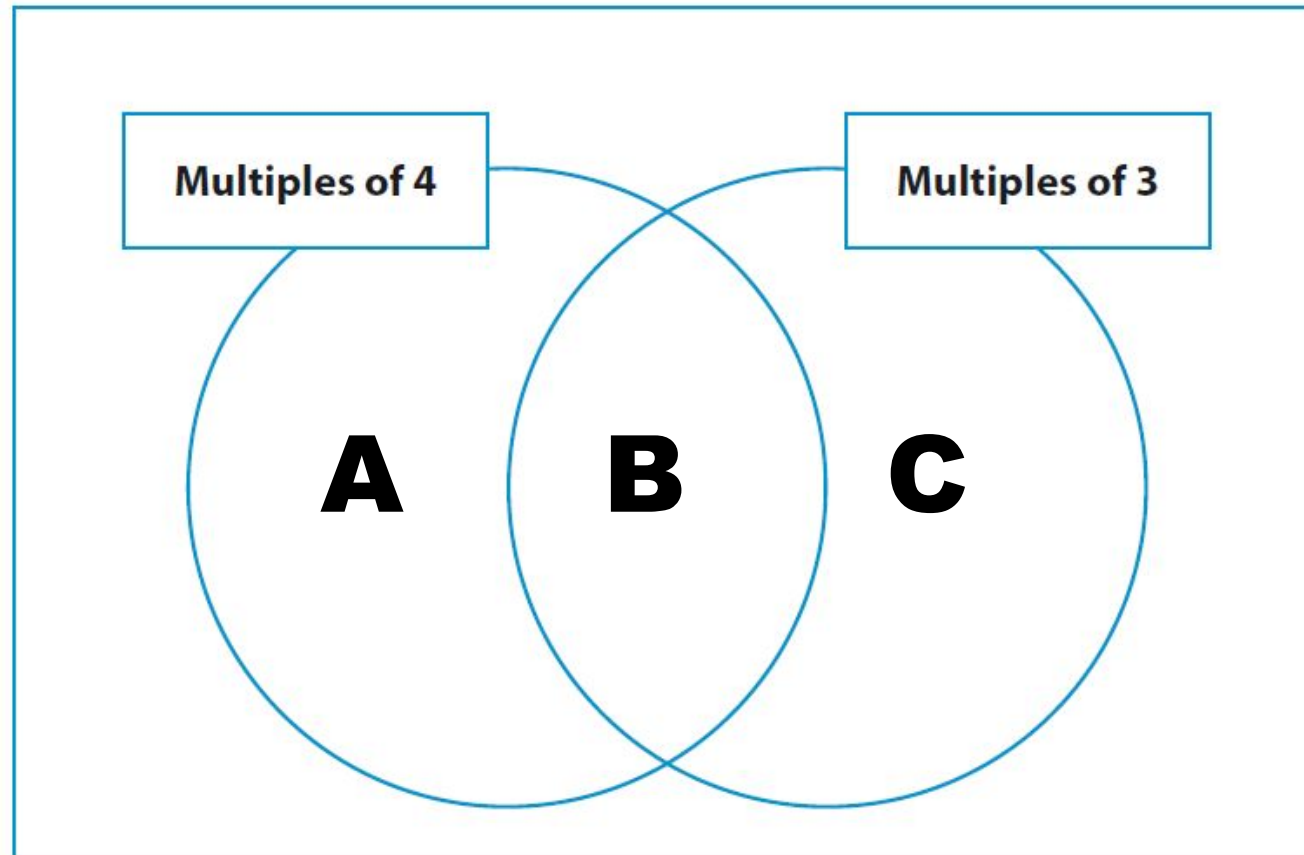
Work out:

$$\sqrt{81}$$

Q2 Number Facts

Which of these numbers belongs in B?

2, 9, 12, 16



Q3 Number Facts

Write in figures:

Half of seven hundred thousand

Q4 Fractions, Decimals & Percentages

There are 200 books on a shelf. 20% are about Maths.

How many books are about Maths?

Q5 Fractions, Decimals & Percentages

Write:

1 as a percentage
5

Q6 Ratio & Proportion

Complete this table:

Map distance	Real life distance	Scale
1 cm	100cm	1:100
4 cm	200cm	1: ?

Q7 Mental & Written Methods

Work out:

$$70 \div 0.1$$

Q8 Mental & Written Methods - BIDMAS

Work out:

$$6 \times 3 + 8 \div 2$$

Q9 Mental & Written Methods

Work out :

$$248 \times 25$$

Q10 Mental & Written Methods

Work out:

$$138 \times 24$$

Q11 Estimate & Check

Estimate the total amount

£ 3.49 £8.04 £7.98

Q12 Money

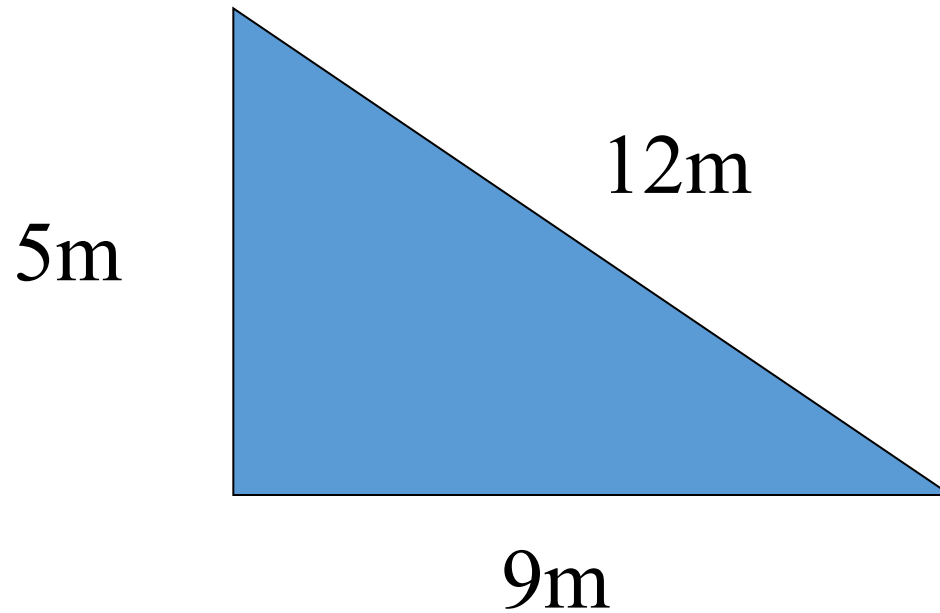
Biscuits are 60p per pack

A shop has an offer “Buy 1 get 1 half price”

How much will you pay for 4 packets?

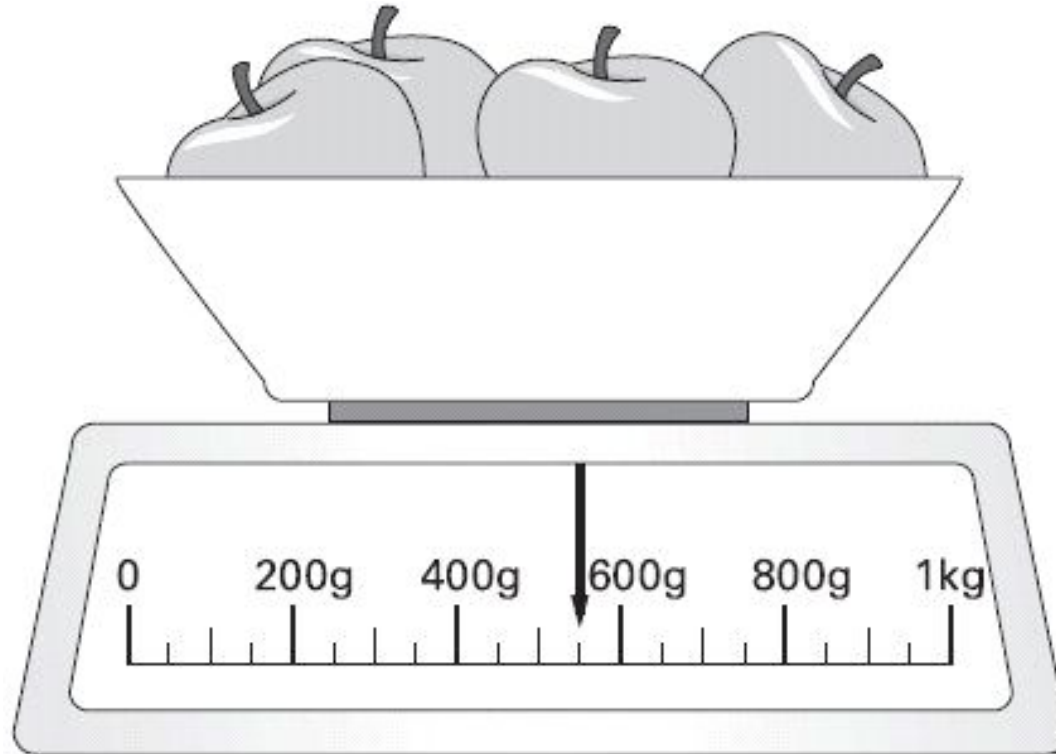
Q13 Length, Weight, Capacity

Find the perimeter of:

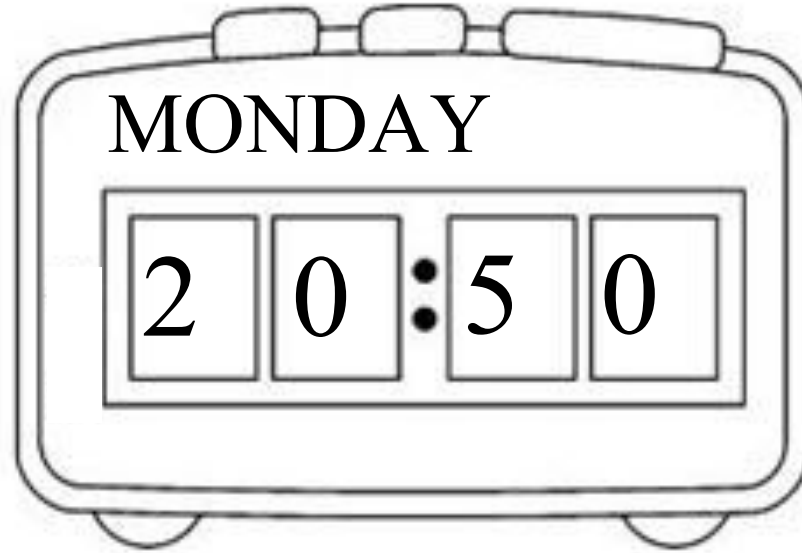


Q14 Length, Weight, Capacity

What does the scale show?



Q15 Time



This clock shows the current time. What will be the day and time 6 hours later?

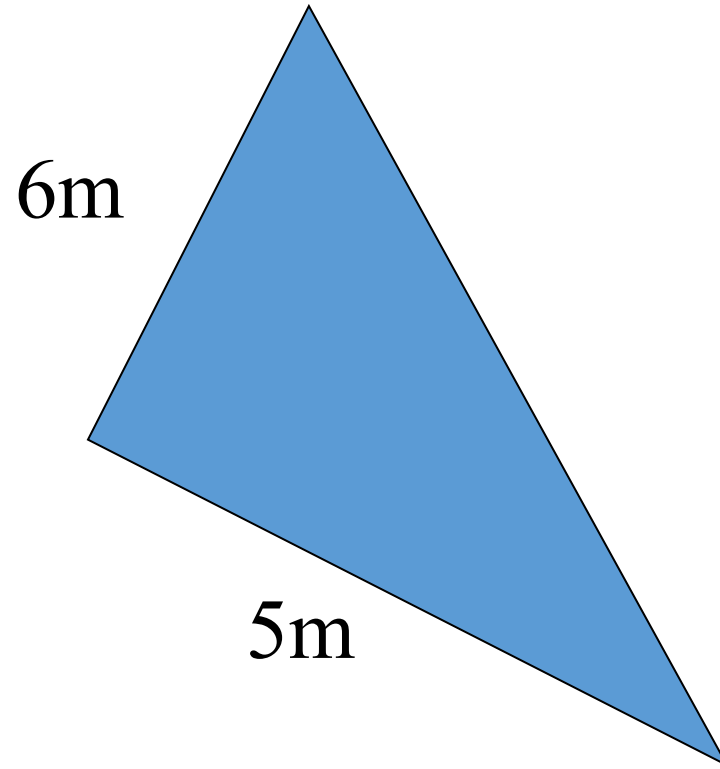
Q16 Temperature

What is the temperature reading shown on this thermometer?



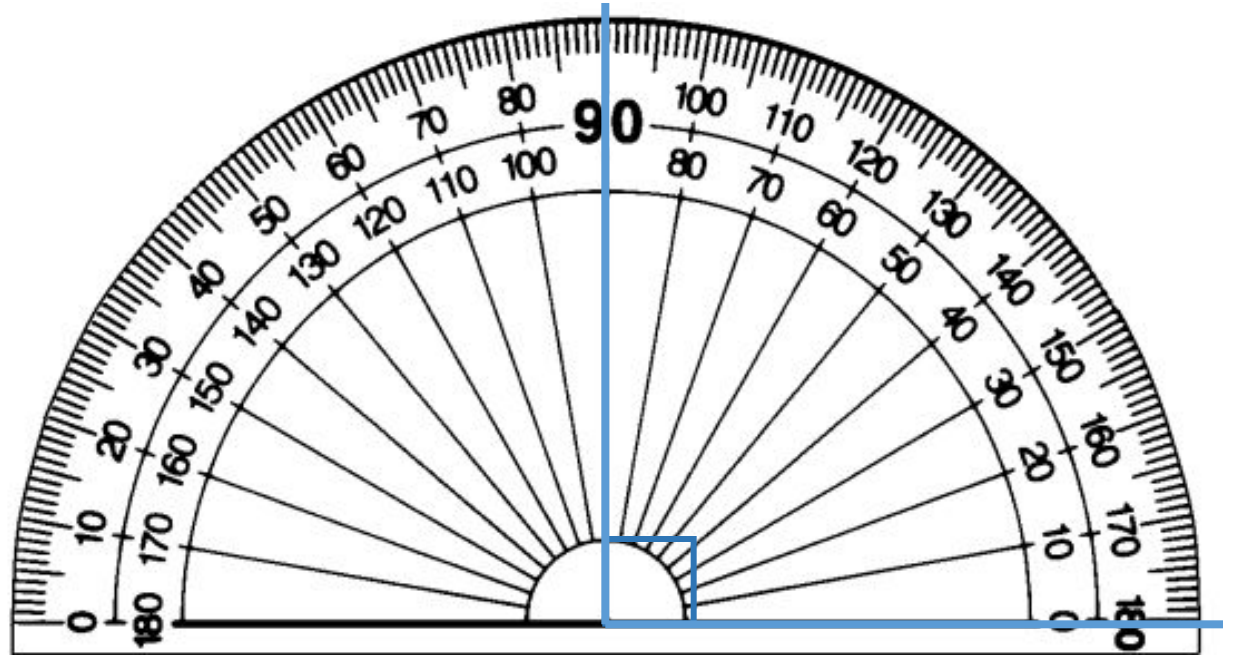
Q17 Area & Volume

Find the area of:



Q18 Angle & Position

What type of angle is this?



Q19 Present & Analyse Data

This is a survey of how pupils travel to Ebbw Fawr LC.

How many pupils do not walk to school?

Q20 Interpret Results

Here are the scores for Flappy Birds:

5 2 8 20 5 6 14

What is the modal score?